



FONTO 8301

Floor socket outlet with removable cover, level-adjustable frame and 4×cable outlet
(Levelling support available optionally)

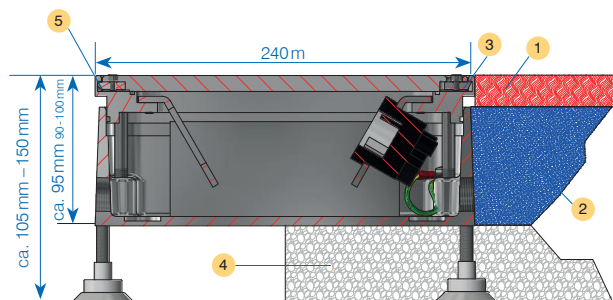


Technical data

Dimensions (l×w×h): 240×240×95 mm
 Mounting depth: ca. 95 mm (standard version)
 – level-adjustable: 90 - 100 mm
 – with levelling support: 105 - 150 mm
 – mit threaded pin extension: 105* - 250 mm
 Material: aluminum, colourless anodised (salt- and seawater-proof)
 IP Protection class:
 – in closed mode: IP65, suitable for cleaning with wet sweepers
 – plugged in mode: IP20, only dry cleaning
 Cover: cover removable
 Cover closure type: snap lock
 Cable outlet: yes
 Load capacity:
 – in closed mode: 2t (20 kN)
 Feed-in cable: 6×M25
 Level-adjustable after installation: yes (+/-5 mm)
 Levelling support: yes (optionally)

Remarks / Features

- Level-adjustable frame (+/- 5 mm) in the offset position for simple adjustment to the finished floor level
- for 8×mounting socket insert 45×45×4 mm (e.g. T23, Schuko, RJ45 cat6a, TV, HDMI, USB etc.)
- 6×centre punch marks for additional holes in the bottom of the housing
- suitable for drive-over in close mode



Levelling feet are only used for setting the floor socket outlet. load capacity / stability is only obtained by backfilling the floor socket outlet with stable material (mortar, concrete...).

Assortment

FONTO 8301 Floor socket outlet with cover and cable outlet, 240×240×95 mm, closed IP65, aluminium anodised, level-adjustable +/- 5 mm

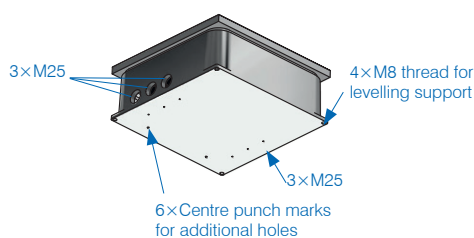
Item no.	Description	Equipment
840845	FONTO 8301	without equipment
210644	FONTO 8301	8×T23
210645	FONTO 8301	8×Schuko
210646	FONTO 8301	8×British Standard 13A

Other fitting options on request!

Accessories/spare parts

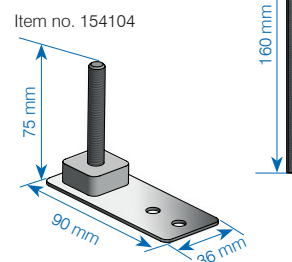
✓ 154104	FONTO/MASSO Jackscrew levelling support: 1×baseplate and 1×threaded pin M8×60
✓ 840768	FONTO/MASSO Threaded pin extension M8×160 mm zinc-plated
840862	FONTO Insertion piece for cable outlet, aluminium anodised

Shorten threaded pin as needed



Item no. 840768

1. Floor covering
2. Floor structure/Screed
3. Seal (silicone)
4. Stable material (mortar / concrete...)
5. 4×cable outlet in cover



FONTO 8308

Floor socket outlet with with removable and fillable cover, level-adjustable frame, 4×cable outlet (Levelling support available optionally)

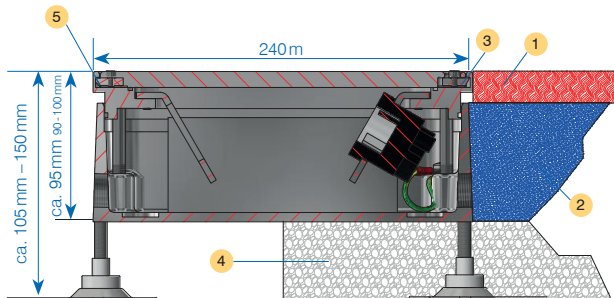


Technical data

Dimensions (l×w×h): 240×240×95 mm
 Mounting depth: ca. 95 mm (standard version)
 – level-adjustable: 90 - 100 mm
 – with levelling support: 105 - 150 mm
 – mit threaded pin extension: 105* - 250 mm
 Lid depth for fillin: 7 mm
 Material: aluminum, colourless anodised (salt- and seawater-proof)
 IP Protection class:
 – in closed mode: IP65, suitable for cleaning with wet sweepers
 – plugged in mode: IP20, only dry cleaning
 Cover:
 Cover closure type: snap lock
 Cable outlet: yes
 Load capacity:
 – in closed mode: 2t (20kN)
 Feed-in cable: 6×M25
 Level-adjustable after installation: yes (+/-5 mm)
 Levelling support: yes (optionally)

Remarks/Features

- Level-adjustable frame (+/- 5 mm) in the offset position for simple adjustment to the finished floor level
- for 8×mounting socket insert 45×45×4 mm (e.g. T23, Schuko, RJ45 cat6a, TV, HDMI, USB etc.)
- 6×centre punch marks for additional holes in the bottom of the housing
- suitable for drive-over in close mode



Levelling feet are only used for setting the floor socket outlet. load capacity / stability is only obtained by backfilling the floor socket outlet with stable material (mortar, concrete...).

Assortment

FONTO 8301 Floor socket outlet with cover and cable outlet, 240×240×95 mm, closed IP65, aluminium anodised, level-adjustable +/- 5 mm

Item no.	Description	Equipment
840848	FONTO 8308	without equipment
210647	FONTO 8308	8×T23
210648	FONTO 8308	8×Schuko
210649	FONTO 8308	8×British Standard 13A

Other fitting options on request!

Accessories/spare parts

✓ 154104	FONTO/MASSO Jackscrew levelling support: 1×baseplate and 1×threaded pin M8×60
✓ 840768	FONTO/MASSO Threaded pin extension M8×160 mm zinc-plated
840862	FONTO Insertion piece for cable outlet, aluminium natural

Shorten threaded pin as needed

